

EXC-P42GP LED Pixel Light



Application Environment:
Indoor
Outdoor

Description

EXC-P42GP full color series are a full-color LED series string LED pixel, which are designed for outdoor landscape lighting by EXC-LED. Each EXC-P42GP pixel is a separate lighting pixel, and each pixel can realize 4096 grades gray scale changing. They can be used for indoor and outdoor applications, such as building facade, shopping mall, celebration ceremony or party decoration. Customized pixel pitch, and easy installation.

Features

- The newest generation technology: DMX512 parallel bus design
- Clip on-off style connection and anti-pull connection without connector design
- High thermal conductivity transformer and full-sealed filling waterproof method by German imported glue
- Outdoor lighting protection and electrostatic discharge (ESD) protection design
- Flexible design ensures 4 kinds of mounting way

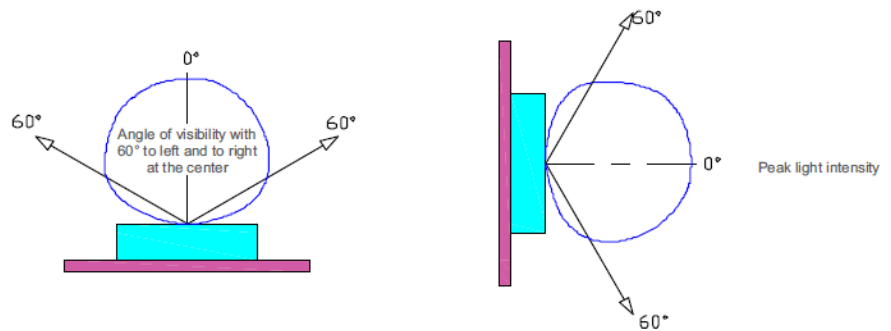
Basic Specifications

Color	W(2200K-6500K), RGB, RGB+W, etc...
Working Voltage	DC24V
Max. Power Consumption	W(1.2W/1.8W), RGB(0.9W/1.5W), RGB+W(1.2W/1.8W)
Light Source	4/6 pcs SMD LEDs
CRI	80
Control	DMX512, ON/OFF
Grey Scale	8bit, 16bit
Source Life	50,000h
RDM	Optional
LED chip Brand	Optional(Cree, OSRAM, Lumileds, Epistar, etc...)
Cover	PC(Transparent, Opal, Crystal)
Housing	PC+ABS

Weight	35g
Dimensions	Ø42 x 16.5mm (Dia x H, exclude Mounting Bracket)
Installation	Mount with aluminum profile, steel wire, front clip
Working Temperature	-40°C to 60°C
Storage Temperature	-40°C to 70°C
Protection Rating	IP66
Luminous Flux	25LM/W(RGB), 50LM/W(White), 30LM/W(RGBW)
Central Light Intensity	≥15cd(RGB)
Beam Angle	≥110°

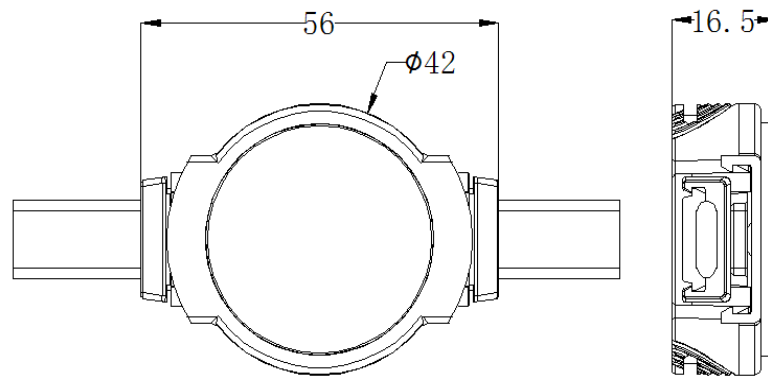
Light Intensity Distribution

Light Intensity Chart

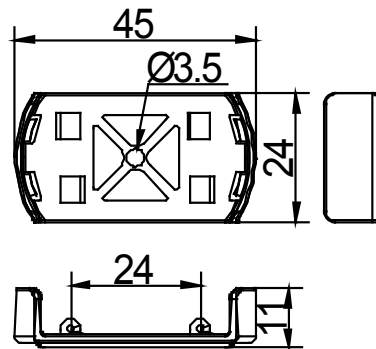


Physical Dimension

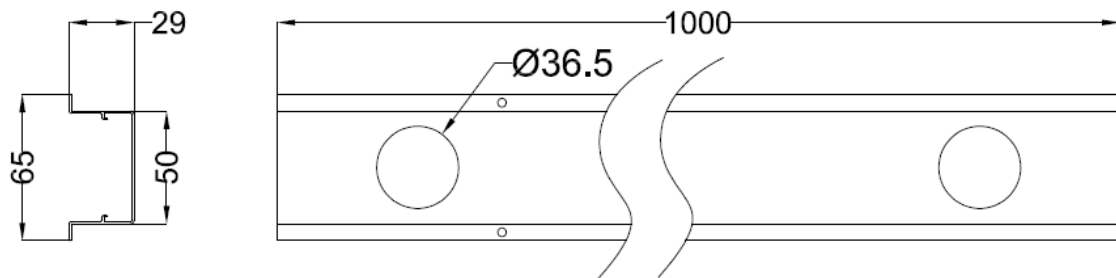
Unit:mm



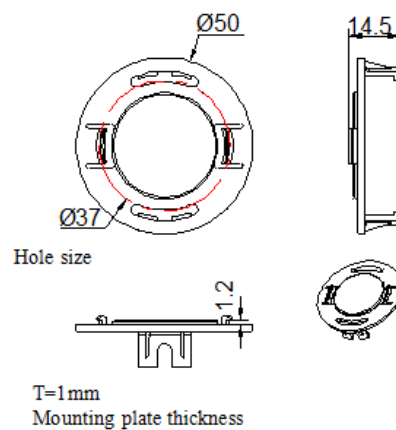
Mounting Accessories 1:



Mounting Accessories 2:



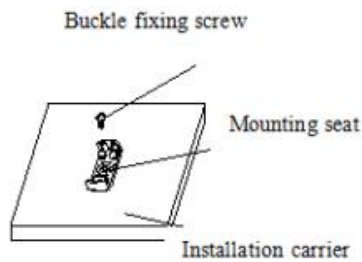
Mounting Accessories 3:



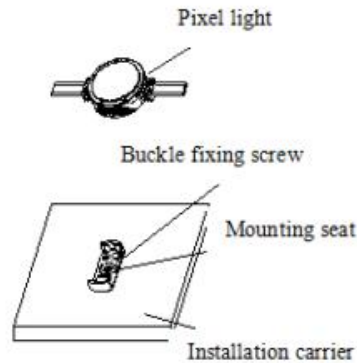
Installation Diagram

1. Mount with front clip

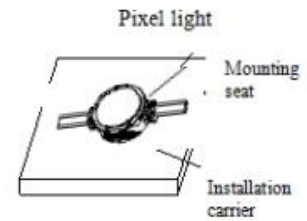
Step 1: Use the M3 screw to fix the mount to the required position. The specific spacing is as required by the order.



Step 2: After the installation is firmly fixed, the pixel light is stuck to the mount.

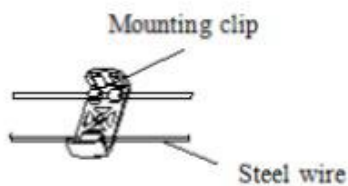


Step3: Schematic diagram after installation

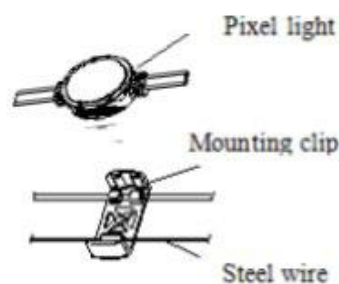


2. Mount with steel cable

Step 1: First pull the wire and then snap the mount onto the wire as shown

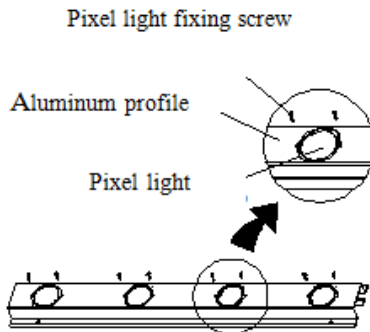


Step 2: Fasten the point light source to the mount as shown in the figure, and the spacing can be adjusted.

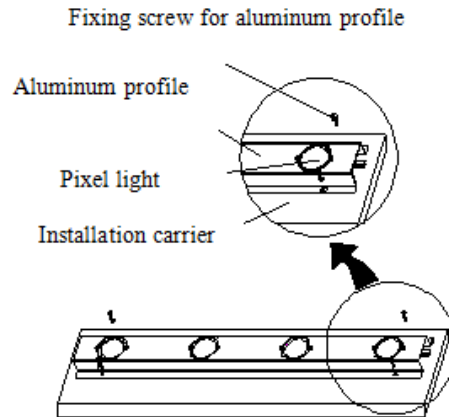


3. Installation by aluminum profile

Step1: Choose M3 screw to lock the pixel light on the aluminum profile as shown in the figure(usually this step is done by factory)



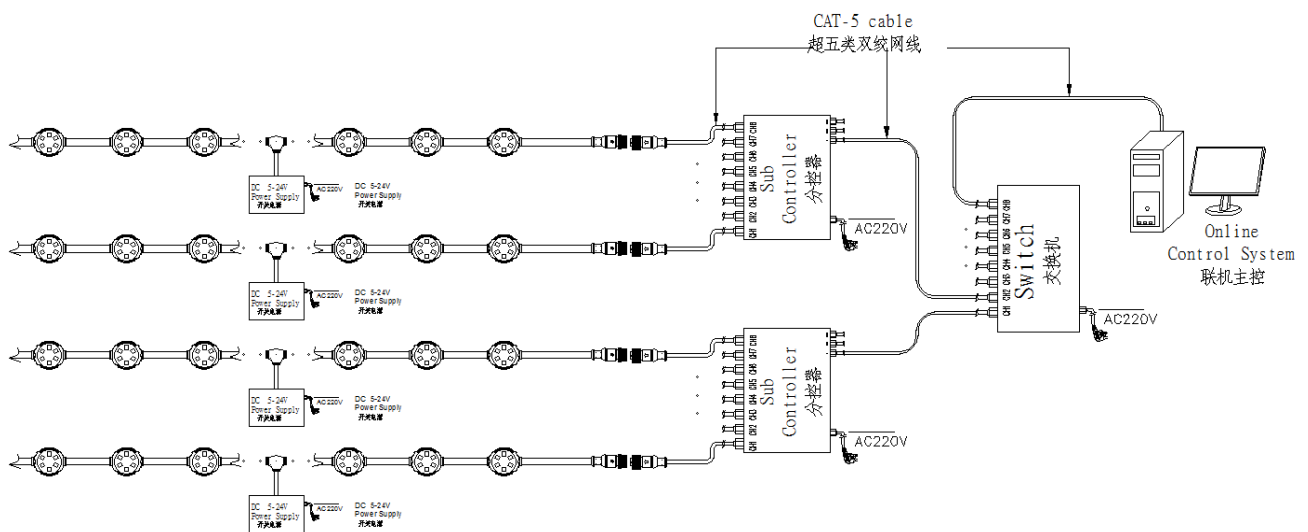
Step 2: Choose M4 screws as shown in the figure to lock the aluminum profile to the required installation position.



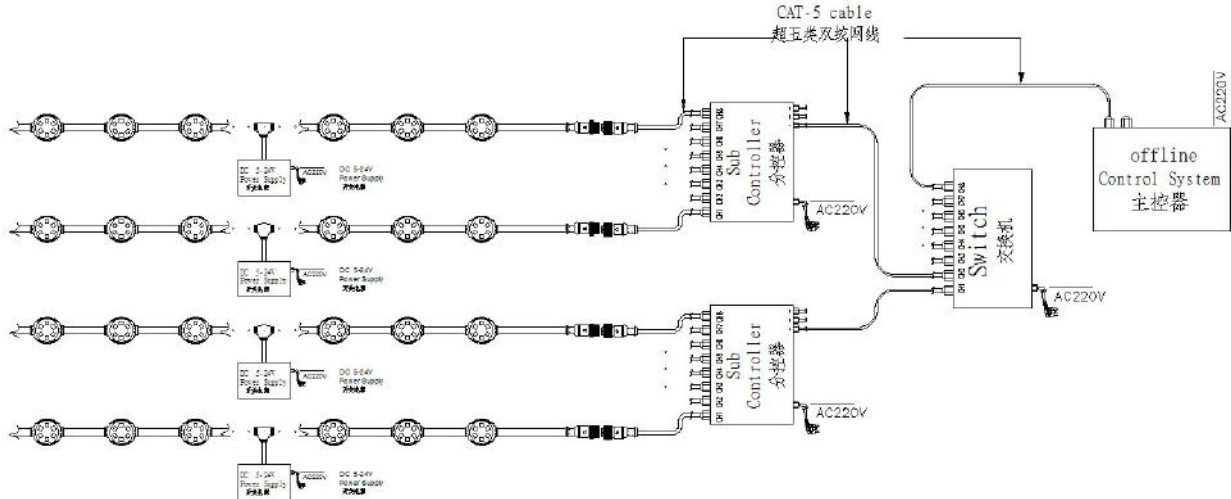
System connection diagram:

- 1, Host controller should connect with slave controller. Working voltage for controllers are AC220V.
- 2, On-line main controller should connect with slave controller, on-line main controller and sub controller working voltage are AC220V.
- 3, each sub-controller with 8 ports, with each port 512 pixels, supporting data converter, supports 100 meters ultra-long haul transmission.
- 4, The CAT-5 e. cable distance should be within 100 meters between host controller and slave controller, between slave controllers and switch, etc.

Online Controlling System Diagram



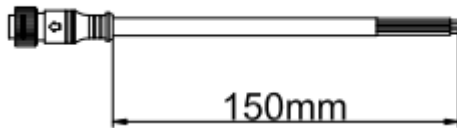
Offline Controlling System Diagram



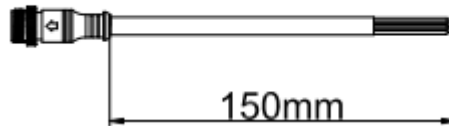
Accessories :

1: Female and Male Connector(Connect to first dot light for signal transmission)

Female Connector

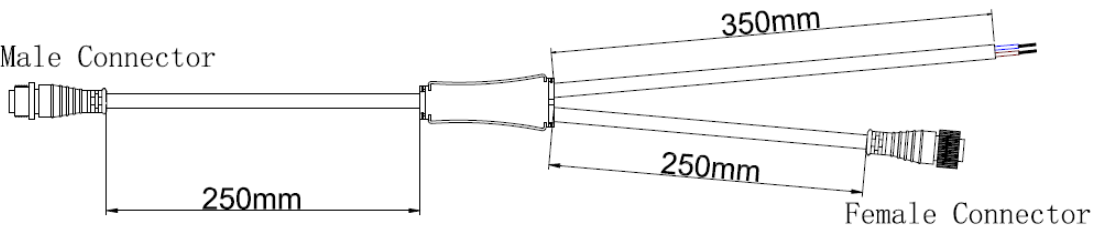


Male Connector



2: Y Shape Connector(For power Distribution)

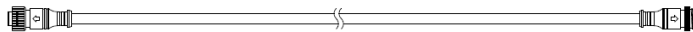
Male Connector



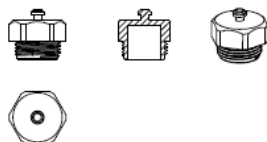
3: Interconnection Cable(1.3M,3M,5M is standard length)

Female Connector

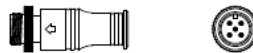
Male Connector



4: End Cap



Male Connector



Male Connector