

EXC-U100ADB0 LED Linear light



Application Environment:
Indoor
Outdoor

Product description:

EXC-U100ADB0 full color series product are compact and invisible SMD LED linear light with aluminum shell for outdoor landscape decoration. The fixture can integrate entirely with the building, not affect the building appearance in daytime and show wonderful lighting effect at night. EXC-U100ADB0 can be applicable for super large area displaying or outline the building. It also can be used to decorate facade inside and outside, also reinforce the normal lighting function.

Features

- Very compact design, only 23mm thickness.
- Invisible design concept, combine with building very well
- Aluminum alloy lamp body with low thermal resistance path heat dissipation design
- Outdoor lightning protection and electrostatic discharge (ESD) protection design
- 吸 Design of top hanging line, simple and convenient installation;
- All aluminum metal, ultra-thin design, high - grade, graceful structure;

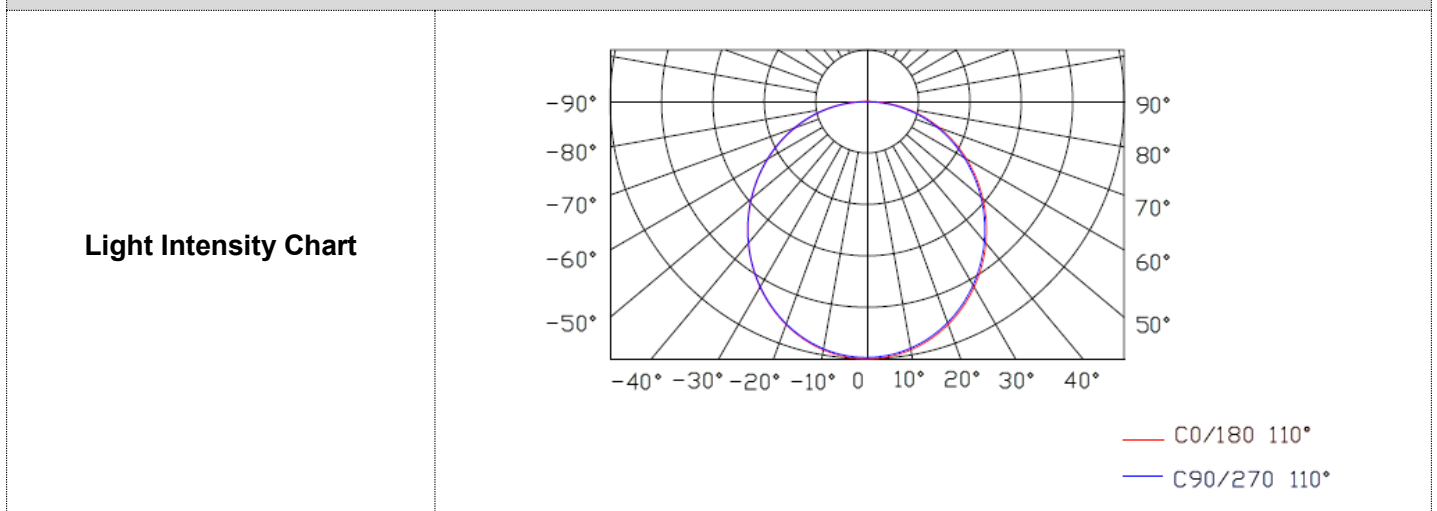
Basic Specifications

| | |
|------------------------|--|
| Color Range | W(2200K-6500K), RGB |
| Working Voltage | DC24V |
| Max. Power Consumption | 12W, 15W |
| Light Source | 48, 60 pcs SMD LEDs |
| LED chip Brand | Optional(Cree, OSRAM, Lumileds, Epistar, etc...) |
| CRI | 80 |
| Control | DMX512, ON/OFF |
| Segment | 1(W), 8/10(RGB) |
| Source Life | 50,000 h |

| | |
|---------------------|------------------------------|
| Housing | High strength aluminum alloy |
| Cover | Acrylic |
| Weight | 1.5Kg |
| Working Temperature | -40°C to 60°C |
| Storage Temperature | -40°C to 70°C |
| Protection Rating | IP66 |
| Efficiency flux | 20LM/W(White), 10LM/W(RGB) |
| Beam Angle | ≥110° |

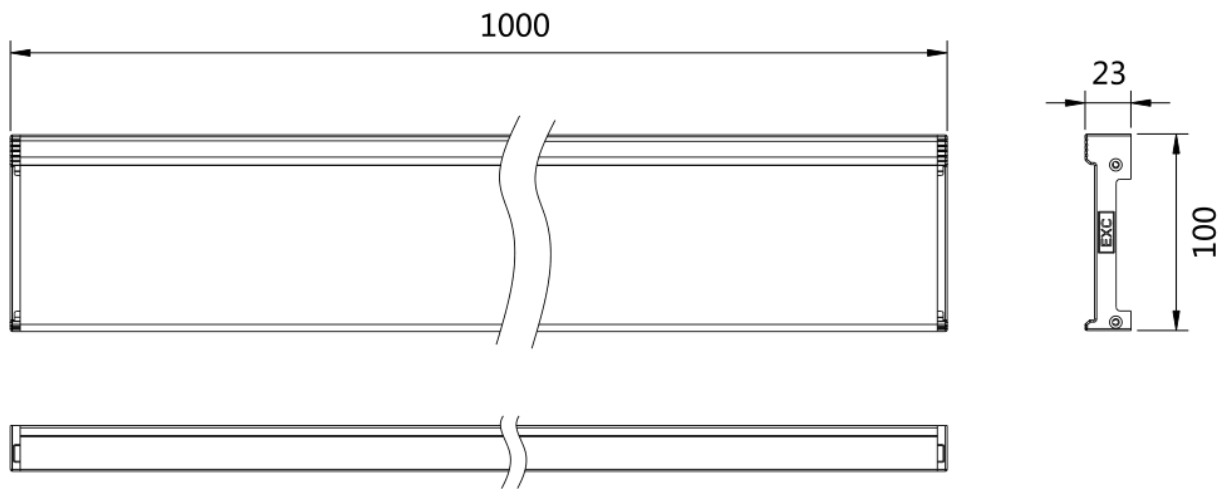
| | |
|------------------|-------------------------------|
| Host Controller | EXC-5200 |
| Slave Controller | EXC-2905T1 |
| Signal Cable | EXC-LED outdoor special cable |

Light Intensity Distribution



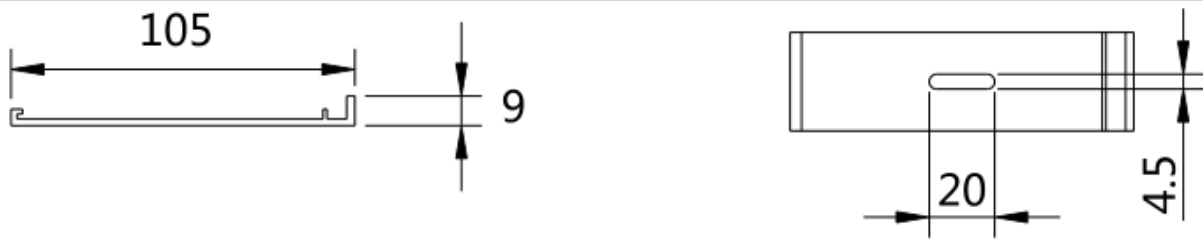
Physical Dimension

Unit: mm

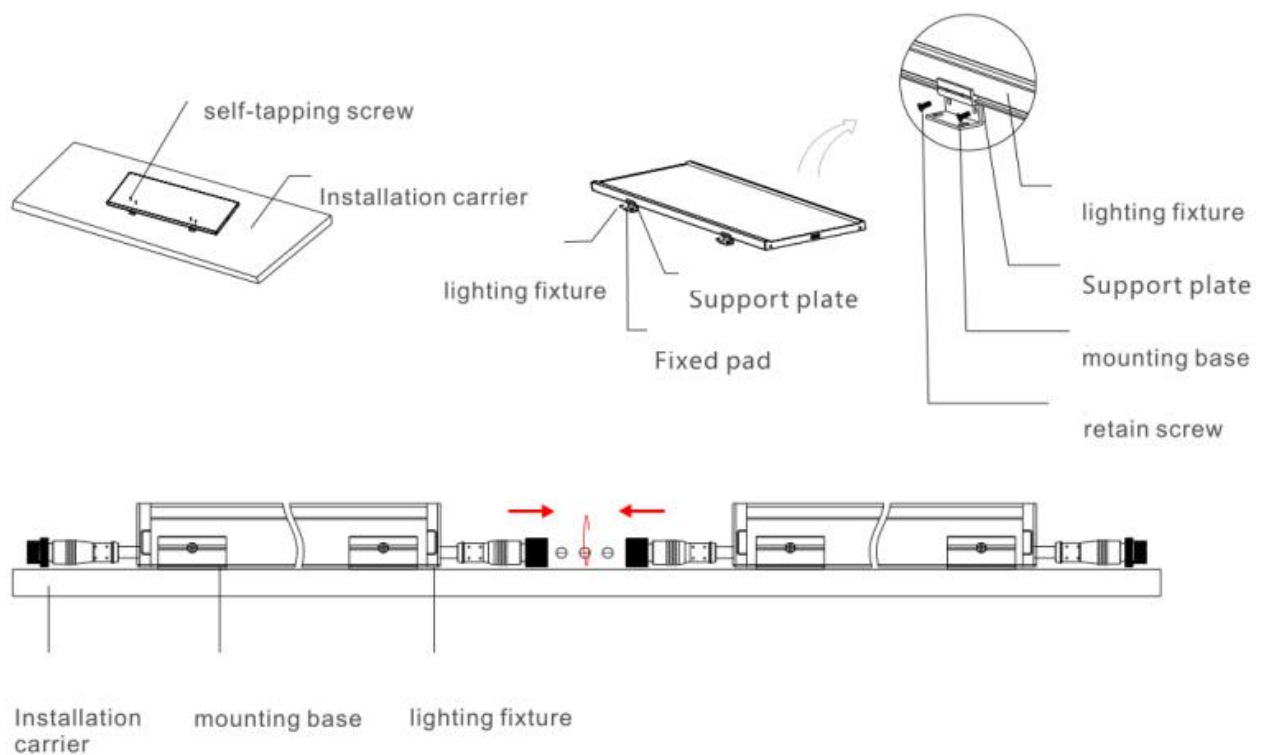


Installation Diagram

Mounting Accessories :



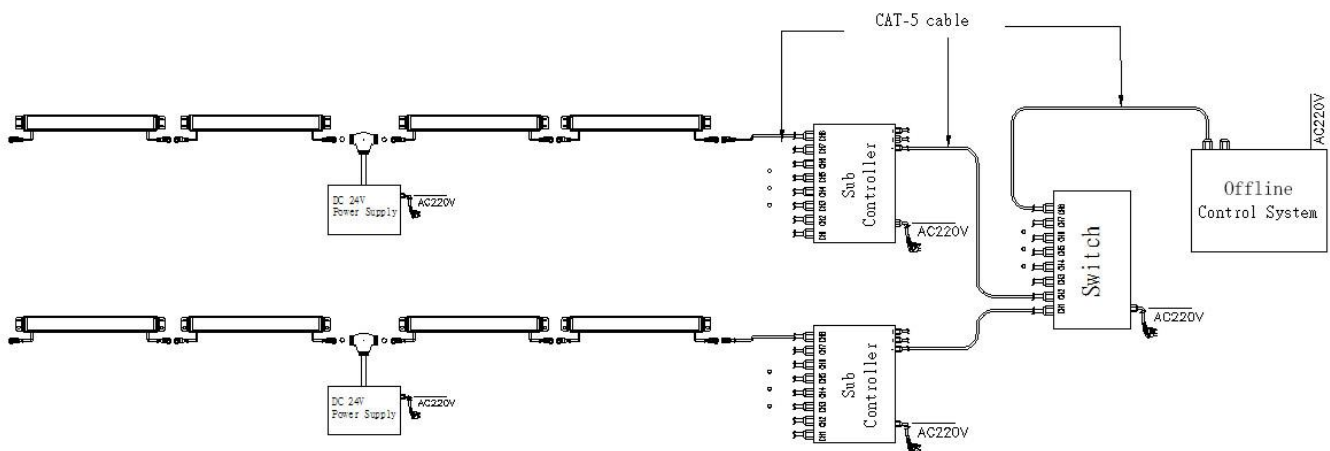
Facade installation



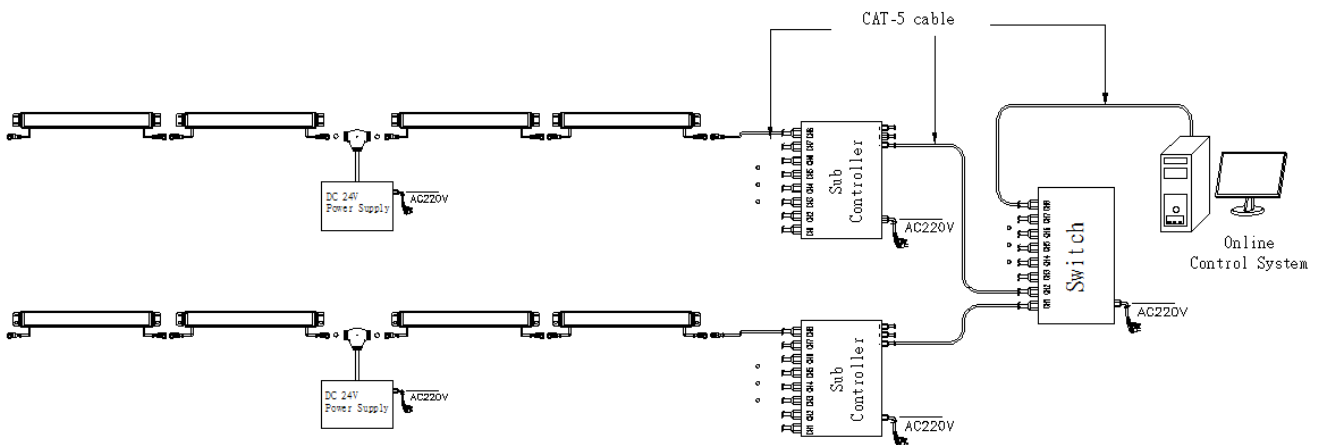
System connection diagram:

- 1、 Host controller should connect with slave controller. Working voltage for controllers are AC220V.
- 2、 On-line main controller should connect with slave controller, on-line main controller and sub controller working voltage are AC220V.
- 3、 each sub-controller with 8 ports, with each port 512 pixels, supporting data converter, supports 100 meters ultra-long haul transmission.
- 4、 The CAT-5 e. cable distance should be within 100 meters between host controller and slave controller, between slave controllers and switch, etc.

Offline Controlling System Diagram



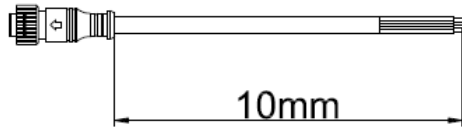
Online Controlling System Diagram



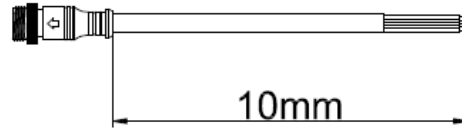
Accessories :

1: Female and Male Connector(Connect to first dot light for signal transmission)

Female Connector

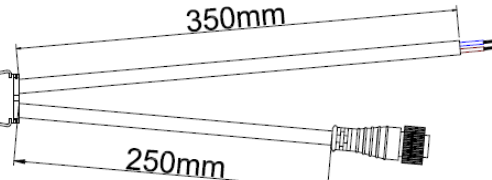
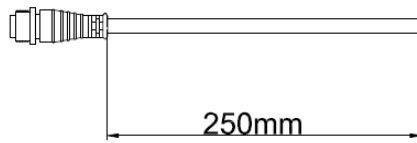


Male Connector



2: Y Shape Connector(For power Distribution)

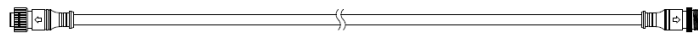
Male Connector



Female Connector

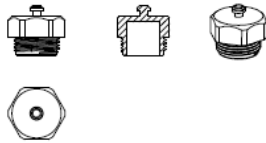
3: Interconnection Cable(1.3M,3M,5M is standard length)

Female Connector

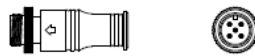


Male Connector

4: End Cap



Male Connector



Male Connector