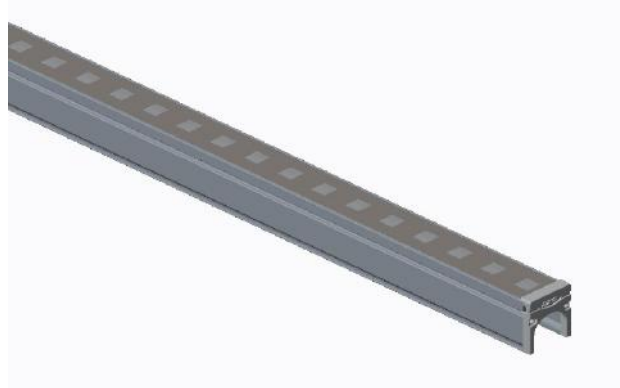


**EXC-U25NCB0 LED Linear light**



Application Environment:  
Indoor  
Outdoor

**Description**

**EXC-U25NCB0 full color series products** are extra-narrow LED linear light with aluminum shell for outdoor landscape decoration. The width of EXC-U25NCB0 is only 25mm, each one with 8 pixels and each pixel can realize 256 grade gray scale color changing. EXC-U25NCB0 can be applicable for super large area displaying or outline the building. It also can be used to decorate facade inside and outside, even small area wall-washing effect.

**Features**

- The newest generation technology: DMX512 parallel bus design
- Only 25mm width, very compact design.
- Full-sealed filling waterproof design by German imported glue
- Aluminum alloy lamp body with low thermal resistance path heat dissipation design

Outdoor lightning protection and electrostatic discharge (ESD) protection design

**Basic Specifications**

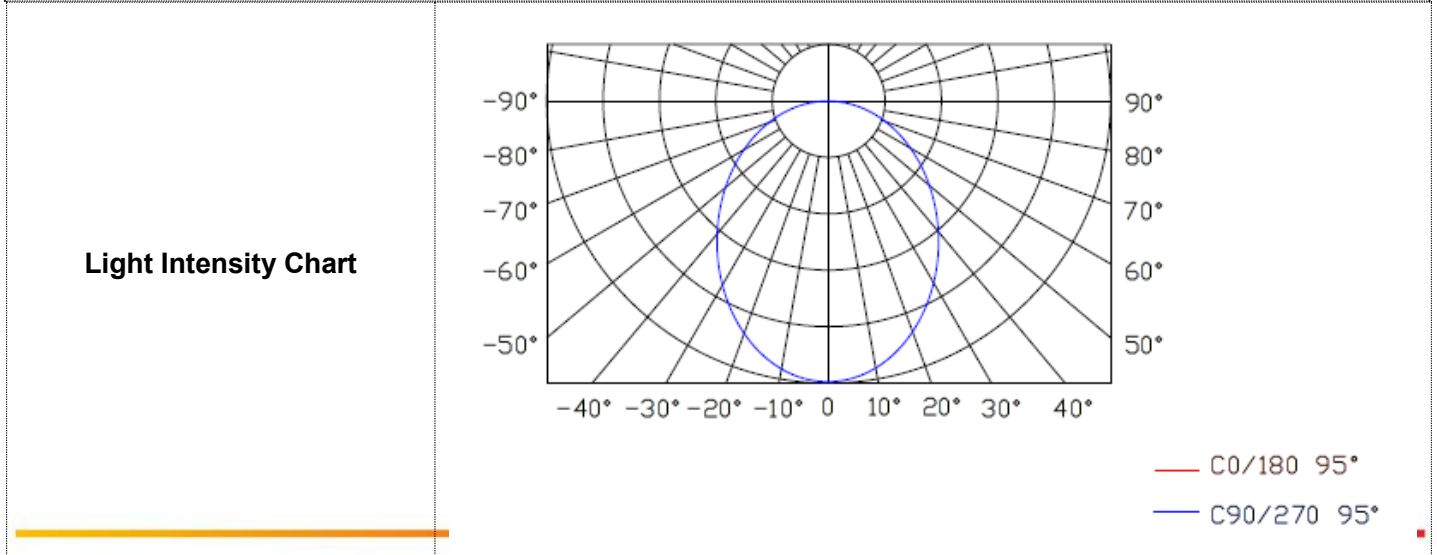
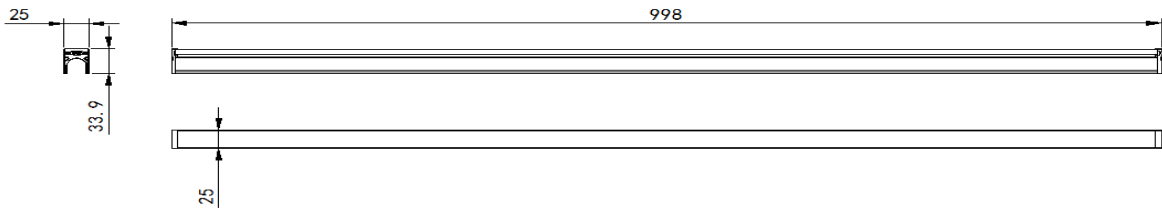
Color Range	W/RGB/RGBW/RGB+W
Working Voltage	DC 24V
Max. Power Consumption	W/RGB(9W/12W/15W), RGBW(/15W/18W), RGB+W(12W/18W)
Light Source	W/RGB(36/48/60), RGBW(48/60), RGB+W(24+24/30+30) pcs LEDs
LED chip Brand	Optional(Cree, OSRAM, Lumileds, Epistar, etc...)
CRI	80
Control	DMX512, ON/OFF
Segment	1(W), 6/8/10(RGB), RGBW(8/10), RGB+W(4/5)
Source Life	50,000 h
Housing	High strength aluminum alloy
Cover	tempered glass
Weight	0.42Kg

Working Temperature	-40°C to 60°C
Storage Temperature	-40°C to 70°C
Protection Rating	IP66
Efficiency flux	20LM/W(RGB), 40LM/W(White), 30LM/W(RGBW)
Beam Angle	≥95°

Host Controller	EXC-5200
Slave Controller	EXC-2905T1
Signal Cable	EXC-LED outdoor special cable

**Light Intensity Distribution**

**Physical Dimension** Unit: mm

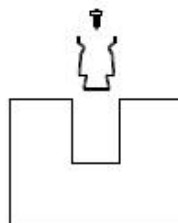
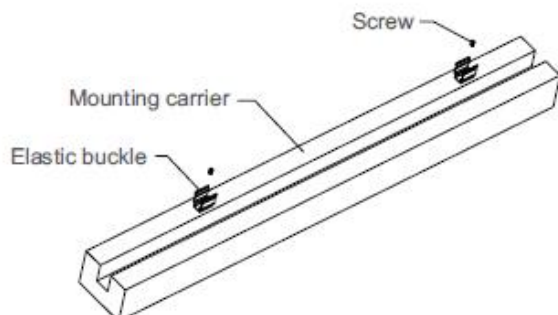




## Installation Diagram

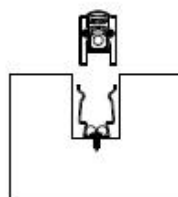
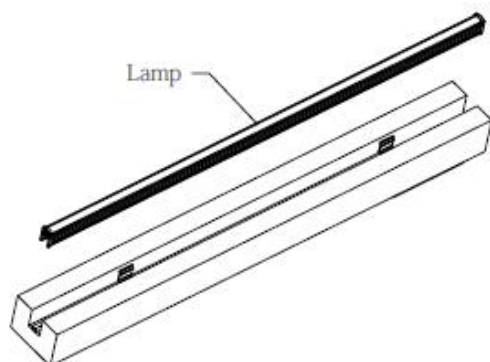
### 1、Facade installation

1. Fix the elastic buckle on the mounting carrier with screws.



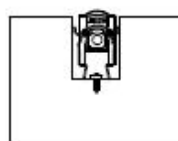
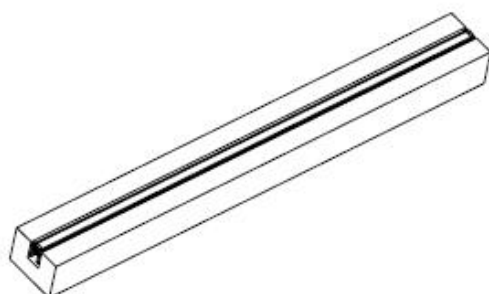
Schematic diagram of section

2. Install the lamp onto the elastic bracket, and fix the lamp with the elastic buckle.

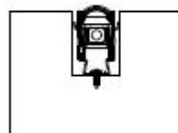


Schematic diagram of section

3. Complete the effect diagram of installation.

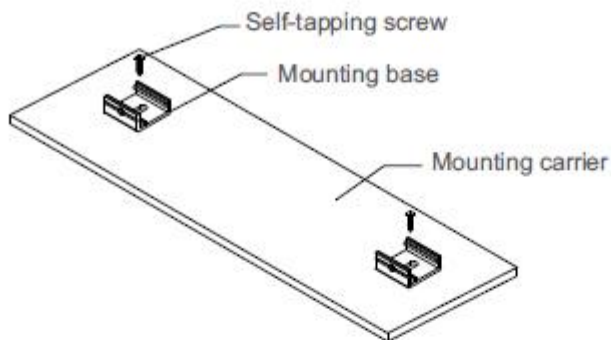


Schematic diagram of section

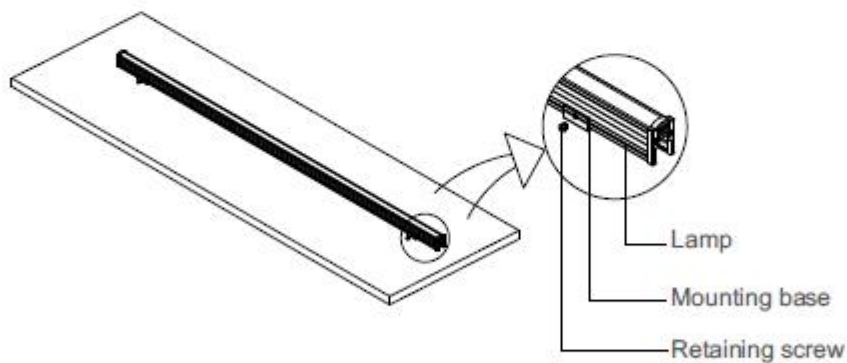


Remove one end cap  
Schematic Diagram of Section

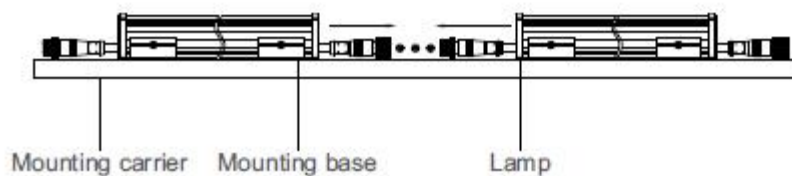
1. Use ST4 self-tapping screws to fix the mounting seat to the position of the mounting carrier as shown in the figure, with the specific spacing to be required by the lamp length.



2. Clamp the lamp on the mounting seat, and then use M4 screws to lock the lamp through the mounting seat. Secure the installation.



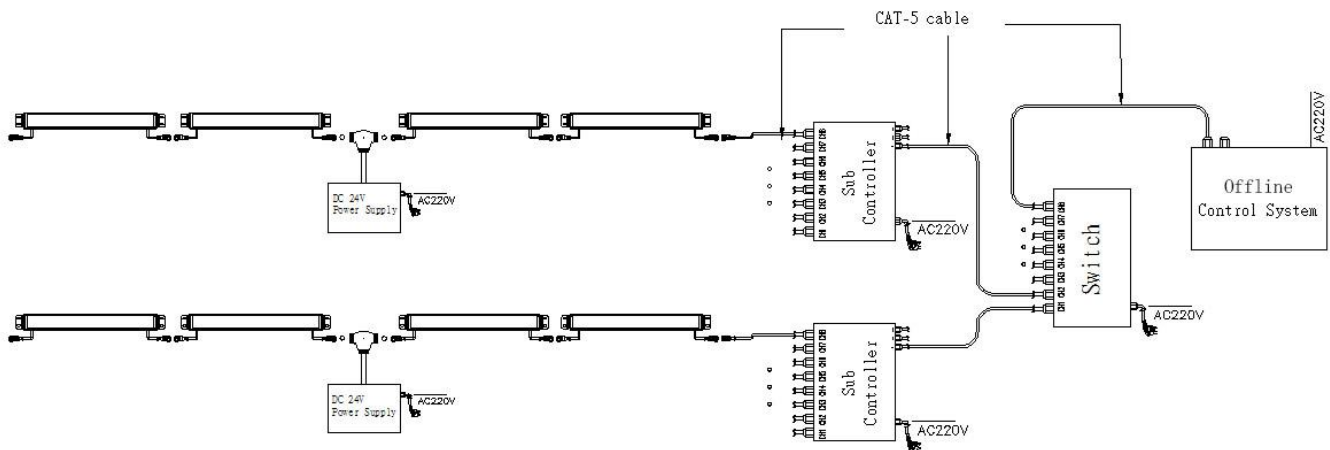
3. Finally, connect the male and female connectors of the waterproof joint line through threads as shown in the figure, and secure the installation.



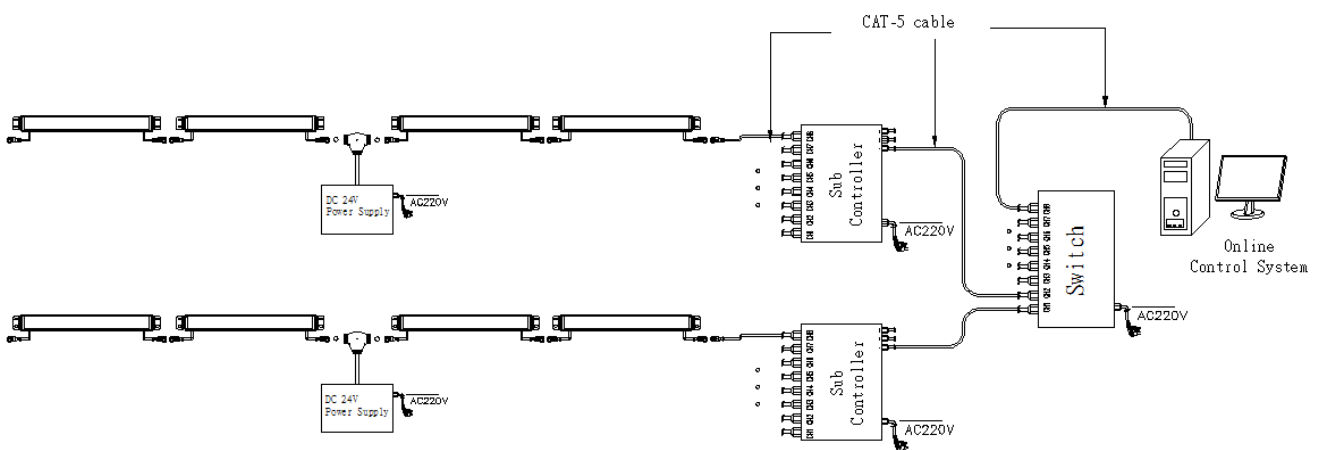
**System connection diagram:**

- 1、 Host controller should connect with slave controller. Working voltage for controllers are AC220V.
- 2、 On-line main controller should connect with slave controller, on-line main controller and sub controller working voltage are AC220V.
- 3、 each sub-controller with 8 ports, with each port 512 pixels, supporting data converter, supports 100 meters ultra-long haul transmission.
- 4、 The CAT-5 e. cable distance should be within 100 meters between host controller and slave controller, between slave controllers and switch, etc.

**Offline Controlling System Diagram**



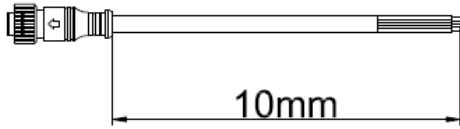
**Online Controlling System Diagram**



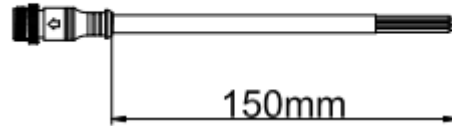
## Accessories :

### 1: Female and Male Connector( Connect to first dot light for signal transmission)

Female Connector

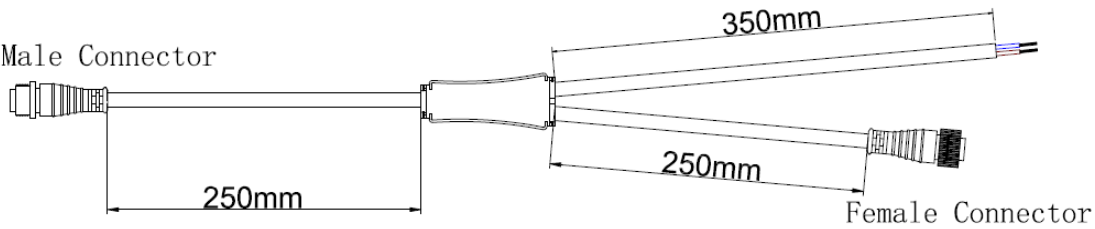


Male Connector



### 2: Y Shape Connector(For power Distribution)

Male Connector



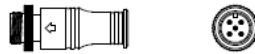
### 3: Interconnection Cable(1.3M,3M,5M is standard length)



### 4: End Cap



Male Connector



Male Connector